

Data sheet: CH8701Y14VAGO1 High precision hydraulic oil filter element

Listing time : 2023-12-13

Product Type : Filter 16 micron



Filter housing (Materials)

- Head: Anodised Aluminium
- Housing: Anodised Aluminium
- Bypass valve: Anodised Aluminium

Pressure

- Working pressure: 30 bar (3 MPa)
- Test pressure: 45 bar (4.5 MPa)
- Burst pressure: 120 bar (12MPa)
- Pulsed pressure fatigue test: 1.000.000 cycles with pressure from 0 to 30 bar (3 MPa)

Temperature

*From -25°C to +110°C

Bypass valve

Opening pressure 3.5 bar \pm 10%

- Other opening pressures on request

Ap filter elements

Series N and W elements: 20 bar

- Oil flow from exterior to interior.

Seals

- Standard NBR series A
- Optional FPM series V

Weights (kg)

Length

LMP950.2 25.1

- LMP950.3 33.5

Volumes (dm³)

Length

- LMP950.2 15
- LMP950.3 28

Connections

In-line Inlet/Outlet LMP 950

90° Inlet/Outlet LMP 951

Compatibility

Housings compatible with:

Mineral oils to ISO 2943 - aqueous emulsions synthetic fluids, water and glycol

- The filter elements are compatible with

Mineral oils to ISO 2943, Synthetic fluids

Aqueous emulsions, water and glycol ((series W required)

NBR seals series A, compatible with:

Mineral oils to ISO 2943 -aqueous emulsions synthetic luids, water and glycol

V series FPM seals,compatible with:

Synthetic fluids type HS-HFDR-HFDS-HFDU

To ISO 2943

Filter Element Area

Filter olement in stainless steel mesh

Length

| | | |
|-------------|-------|-------|
| Type | 2 | 3 |
| CU 950 | 10950 | 25100 |

Valuess cpresscd in cm2

Filter housing Ap pressure drop

The curves are plotted utilising mineral oil with density of 0.86 kg/dm3 to ISO 3968

Ap varies proportionally with density.

Recommended maximum flow rate

The recommended maximum flow rate for filters instal-led on lubrication lines, return or in-line filters is defined by the oil maximum velocity in the connections.

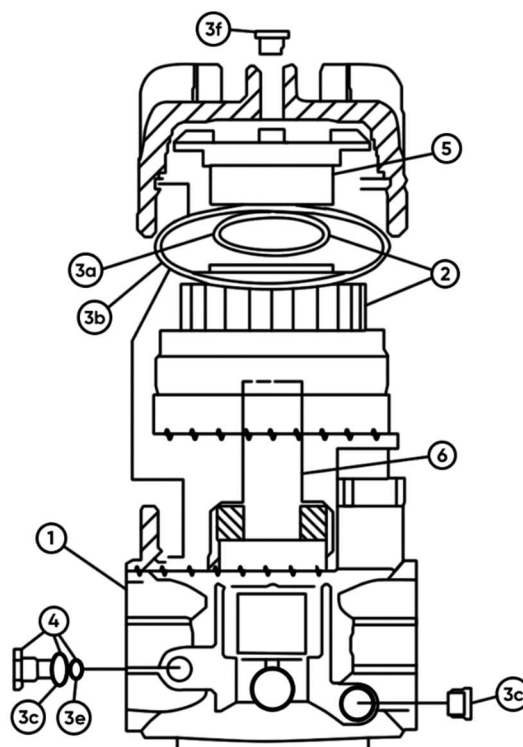
Recommended maximum flow rate for Off Line filters is defined by the filter element pressure drop

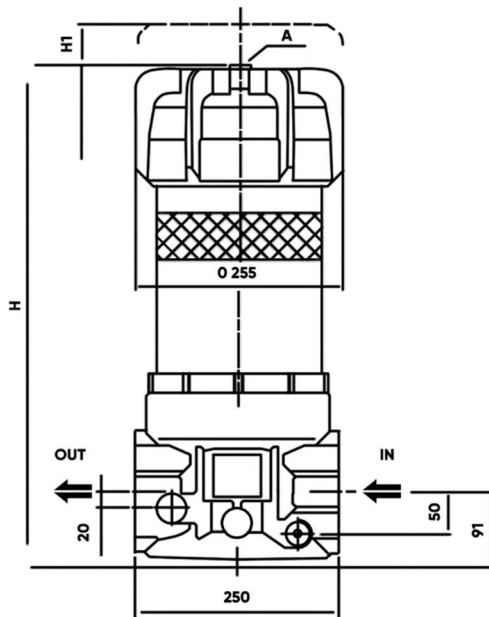
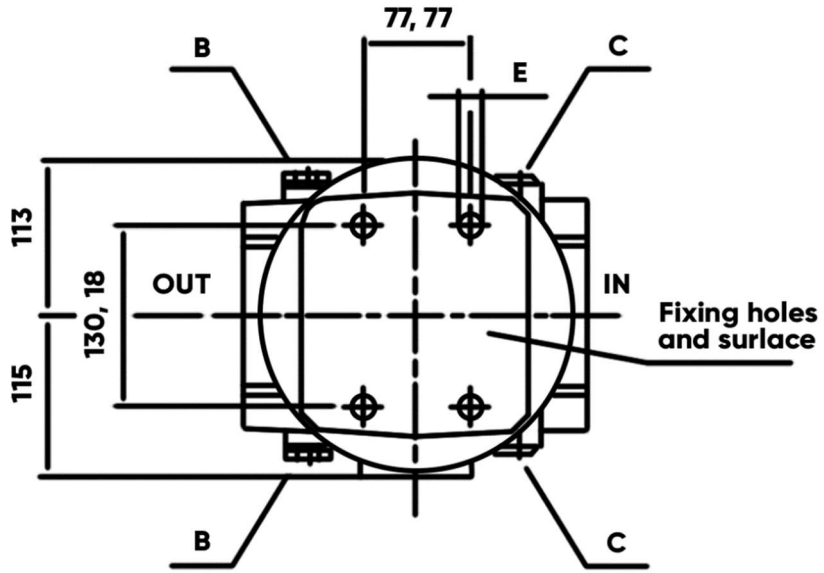
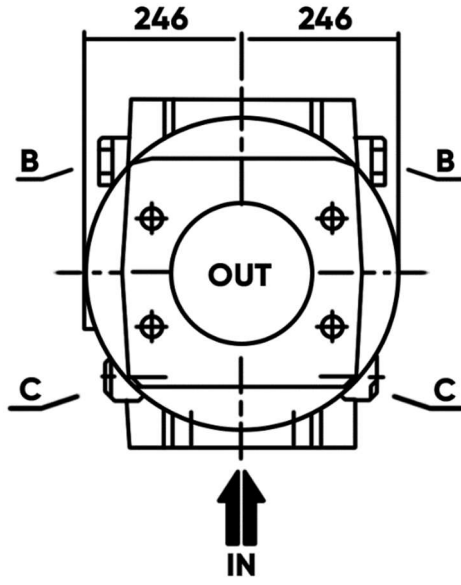
Filter for pressurised lubxication, max. oil velocity 2.5 m/sec

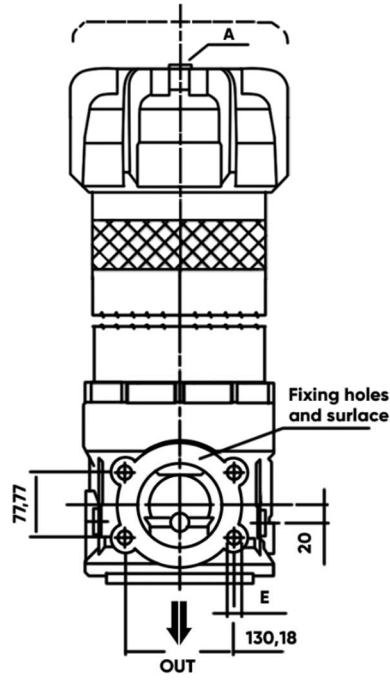
Return or in-line filter, max oil oil velocity 5 n/sec

Previous : High Quality Pp Folding Large Flow Filter Cartridges Pleated Industrial Water Filter Cartridges

Next : Hot Sale 10 Inch Pp Melt blown Filter Cartridge For Enterprise Water Filtration

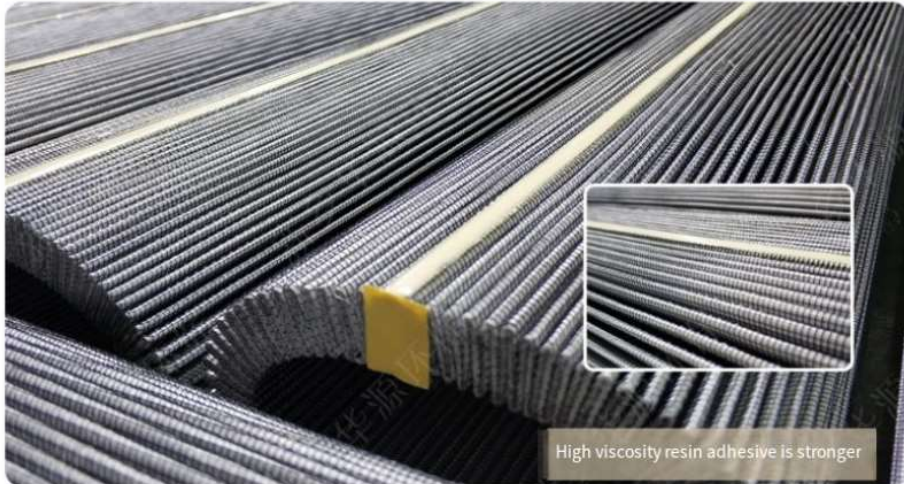






Automatic wave breaking process

The folding wave is smooth and beautiful, and the seam is delicate and durable, so that the user is more worried



Detail presentation